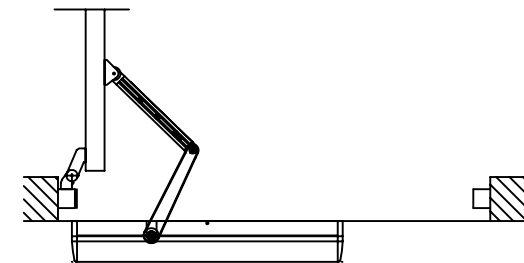
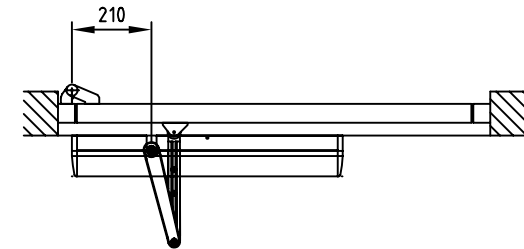
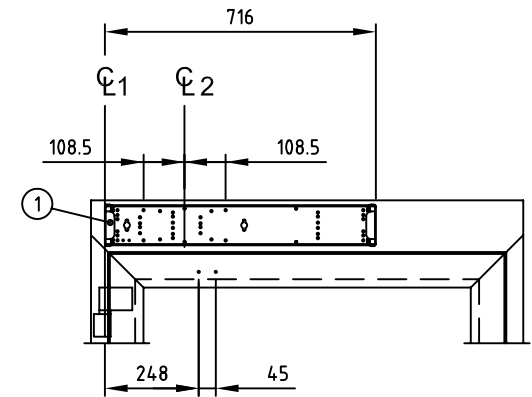


Y=	Shaft extension
48	0
68	20
98	50
118	70

- CL1 Hinges
- CL2 Operator drive shaft
- A Reveal max. 130mm
Optional max. 400mm
- 1 Cable inlet
- 2 Reinforcements required in door leaf and at fixing holes



Customer:

Besam ref:

Door id:

Date:

Project No:

Sign:

PowerSwing
Arm system Push/SAS-F

Swing door operator



E

173677