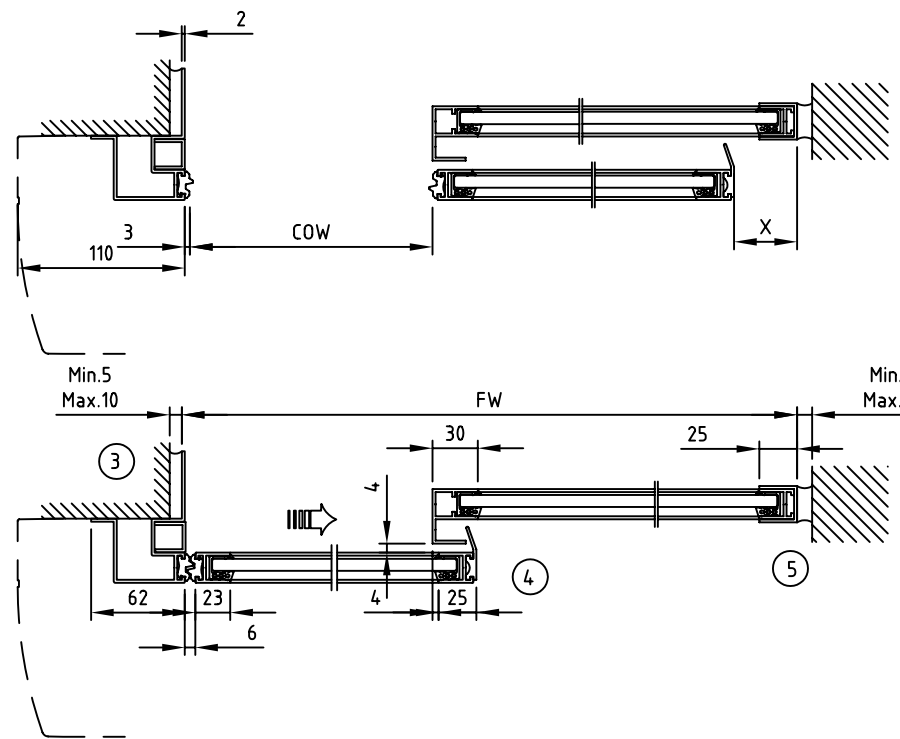


Inside



- FW= Frame width  
Min. 1800 / max. 3000  
 $FW=2COW+35+X$
- FH= Frame height  
Min. 1950 / max. 3000
- X= Distance to avoid finger trap (25 mm)
- COW= Clear opening width  
 $COW=(FW-35-X)/2$
- COH= Clear opening height  
 $COH=FH-50$
- CL= Cover length

- State when ordering
- FW=.....mm
  - FH=.....mm
  - X=.....mm
  - COW=.....mm
  - COH=.....mm
  - Cover
  - CL=.....mm

- Surface treatment
- Silver anodized
  - Special anodized.....
  - RAL.....
  - Special powder coating.....
  - .....

- Glass
- 8 mm laminated glass
  - 10 mm laminated glass
  - 12 mm laminated glass
  - 8 mm tempered glass
  - 10 mm tempered glass

- Lock
- Floor lock Euro 1-way
  - Floor lock Euro 2-way

Scale 1:5

Customer: \_\_\_\_\_

Door id: \_\_\_\_\_

Project No: \_\_\_\_\_

Besam ref: \_\_\_\_\_

Date: \_\_\_\_\_

Sign: \_\_\_\_\_

**ADS Automatic door system**  
**Slim UniSlide**  
**4 Panel wall mounted**  
**Article No. 800091**

**besam** 

**F** **832998**