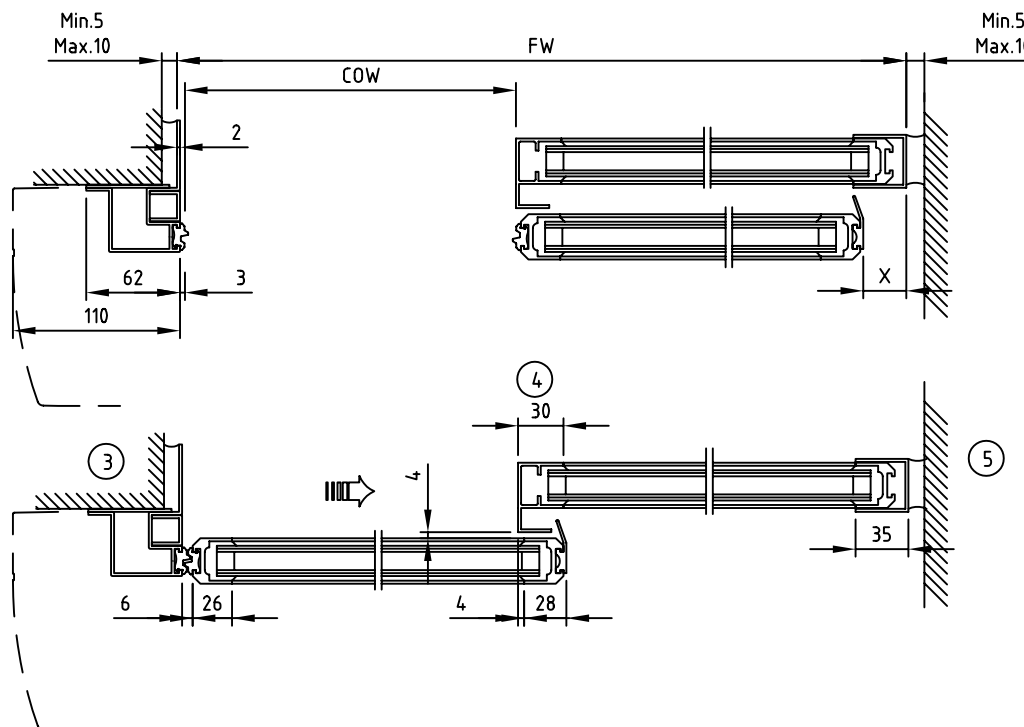


Inside



FW= Frame width  
Min. 1800 / max. 3000  
 $FW=2COW+36+X$

FH= Frame height  
Min. 1950 / max. 3000

X= Distance to avoid finger trap (25 mm)

COW= Clear opening width  
 $COW=(FW-36-X)/2$

COH= Clear opening height  
 $COH=FH-50$

CL= Cover length

State when ordering

FW=.....mm  
FH=.....mm  
X=.....mm  
COW=.....mm  
COH=.....mm  
 Cover  
CL=.....mm

Surface treatment

Silver anodized  
Special anodized.....  
RAL.....  
Special powder coating.....  
.....

Glass

6/10/6 Insulates laminated glass

Lock

Floor lock Euro 1-way  
 Floor lock Euro 2-way

Scale 1:5

Customer:

Besam ref:

Door id:

Date:

Project No:

Sign:

**ADS Automatic door system**  
**Slim Thermo UniSlide**  
**2 Panel wall mounted right**  
**Article No. 800104**



G

833007